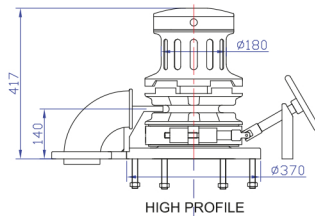
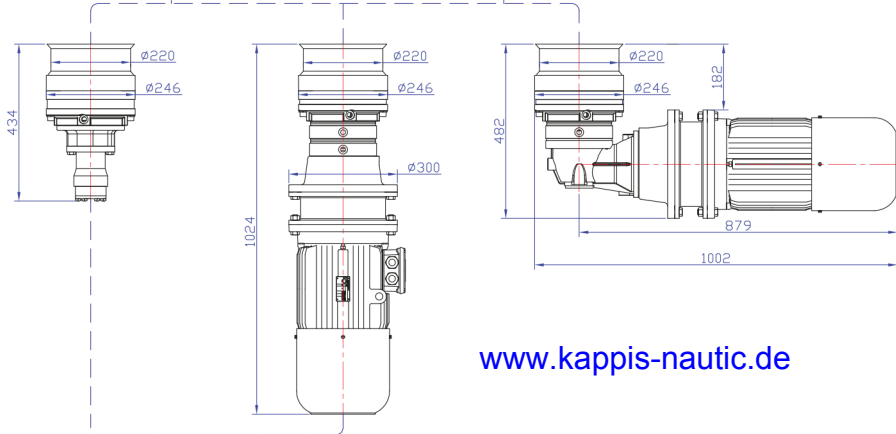


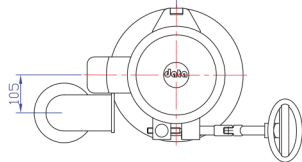
LOW PROFILE



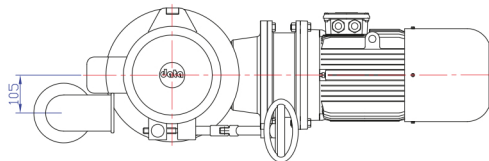
HIGH PROFILE



[www.kappis-nautic.de](http://www.kappis-nautic.de)



Hydraulic drive  
Electric motor drive single axis



Electric motor drive 90° (380 V)